

SEATS

Folding seat



AM0201C
Bright finish



AM0201CS
Satin finish

General description

- Folding seat made in stainless steel AISI 304, satin or bright finish.
- Suitable to achieve barrier-free accessibility in bathrooms and public spaces. It can be installed inside the shower.
- Highest durability and rusting resistance. Easy cleaning.
- Designed to withstand a maximum load of 120 kg, provided it is properly mounted to the wall.
- Structural assembly shall be of welded construction and all exposed edges and corners shall be radiused and/or deburred.

Components & materials

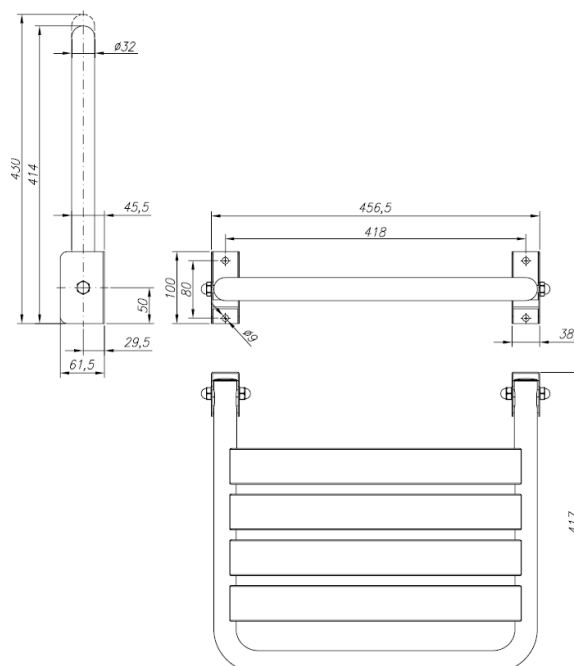
- **AM0201C:** folding seat made in stainless steel AISI 304, bright finish.
- **AM0201CS:** folding seat made in stainless steel AISI 304, satin finish.
- **SLOTS:** 4 for water drainage made in stainless steel AISI 304, 1.7 mm thick.
- **TUBE FRAME:** made in stainless steel AISI 304 tube \varnothing 32 mm and 1.5 mm thick with rounded corners for maximum safety.
- **WALL BRACKETS:** 2 made in stainless steel AISI 304, 2.6 mm thick, fixed to the tub with one shaft, made in stainless steel as well, diameter 10 mm and metric 6 mm in both terminals.

Technical Specifications

(*)Properly mounted to the wall.

Tube diameter	\varnothing 32 mm
Tube Thickness	1.5 mm
Max. Supported load (*)	120 kg
Maximum force supported (*)	1,177 N

Dimensions



Operation

Change manually the position of the folding seat to mount it in vertical position or in horizontal position.

MOUNTING

RECOMMENDED HEIGHTS DISTANCE FROM THE FLOOR

430-510 mm from the ground to the top of the seat.